

(22) Date de dépôt/Filing Date: 2002/05/22

(41) Mise à la disp. pub./Open to Public Insp.: 2003/01/16

(45) Date de délivrance/Issue Date: 2006/11/07

(30) Priorité/Priority: 2001/07/16 (US09/904,867)

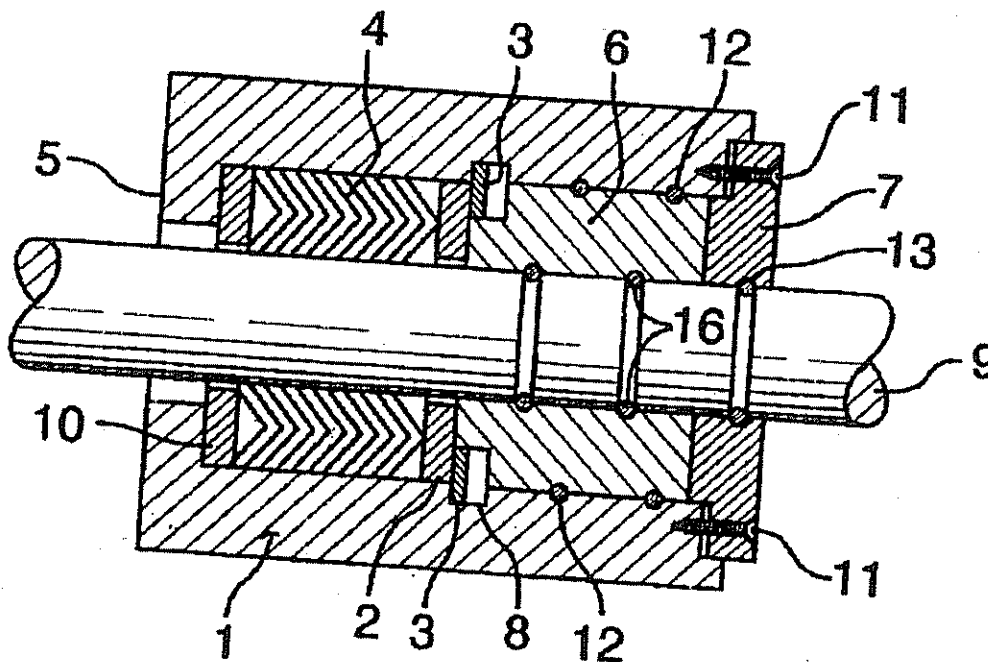
(51) Cl.Int./Int.Cl. *F16J 15/54* (2006.01),  
*F16J 15/18* (2006.01), *F16K 41/04* (2006.01)

(72) Inventeur/Inventor:  
JAMES, BRUCE, CA

(73) Propriétaire/Owner:  
STEALTH INTERNATIONAL, INC., CA

(74) Agent: OGLVY RENAULT LLP/S.E.N.C.R.L., S.R.L.

(54) Titre : DISPOSITIF D'ETANCHEITE POUR ROBINETS ROTATIFS  
(54) Title: PACKING DEVICE FOR ROTARY VALVES



(57) Abrégé/Abstract

A packing device, for sealing a longitudinal shaft against leakage of a pressurized fluid, having an elongate valve housing with an annular internal chamber about a coaxial rotatable shaft. The chamber has an inner end with an annular stationary packing support shoulder exposed to pressurized fluid and an outer end with an annular packing access opening exposed to ambient air pressure. Annular self travelling pressure energized retained chevron packing is disposed within the chamber, an inner end thereof engaging the stationary packing support shoulder. An axially slidable ring engages an outer end of the packing, and gland housing engages an outer end of the slidable ring. The gland housing includes compression mountings for loading the packing. For limiting the axial movement of the ring within the chamber when the gland housing is removed, the valve housing includes an annular groove within which a floating retaining clip is slidably disposed.