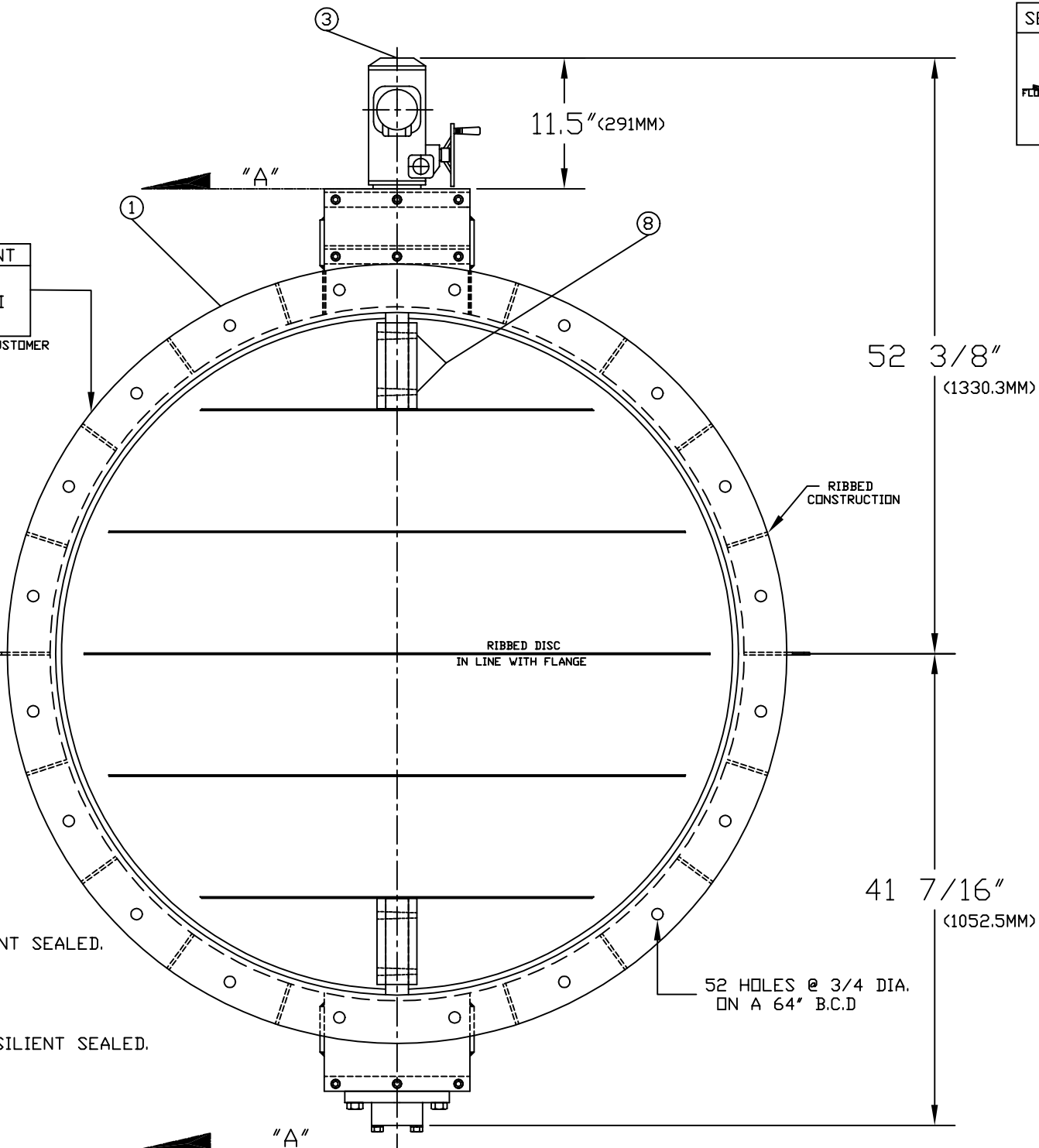


SELECT REQUIREMENT	
<input type="checkbox"/>	FRP LINED
<input type="checkbox"/>	RILSAN COATED

SELECT DRILLING REQUIREMENT	
<input type="checkbox"/>	R.P.S
<input type="checkbox"/>	150# ANSI

NOTE: MATING FLANGE TO BE CONFIRMED BY CUSTOMER

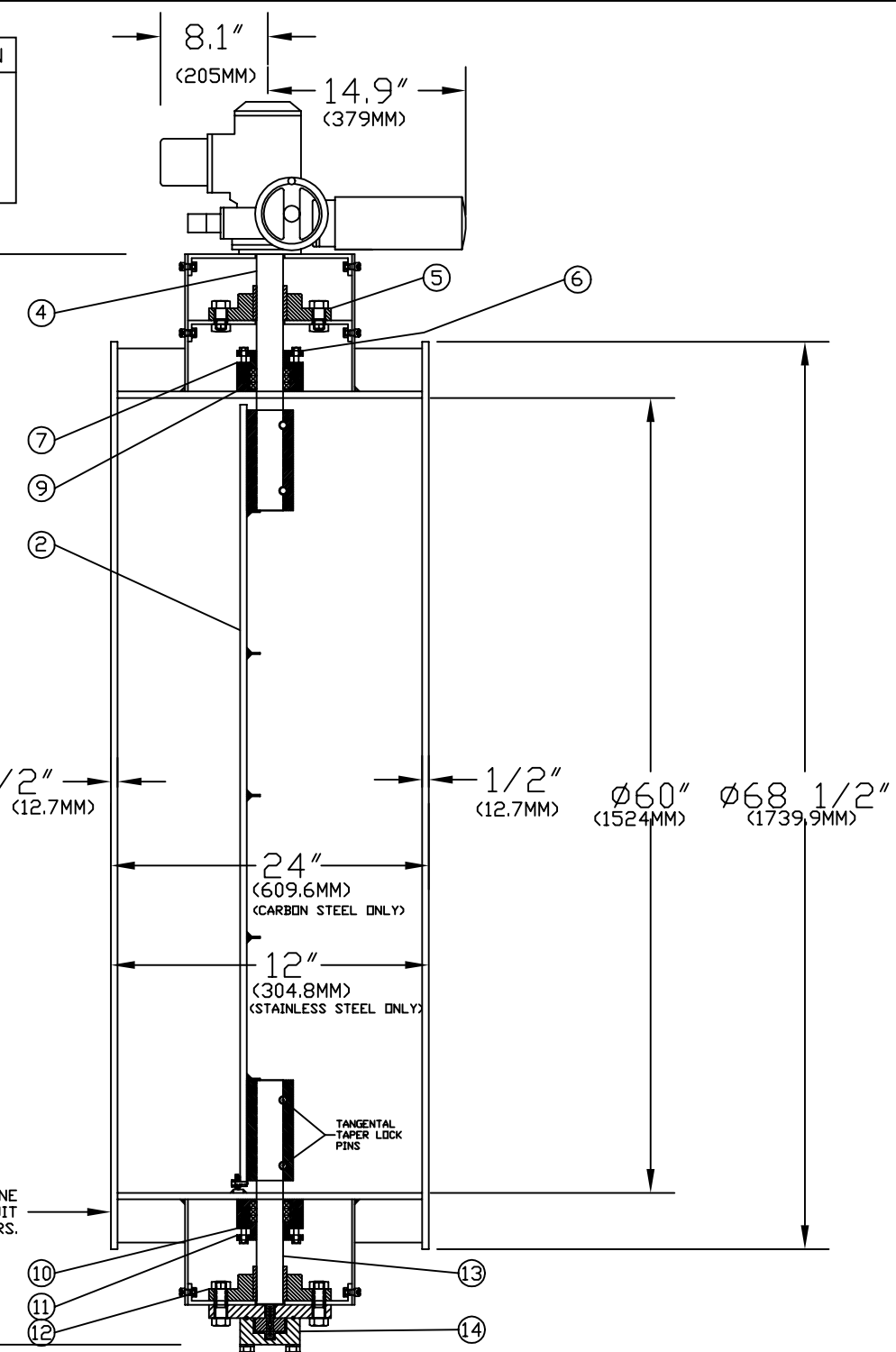
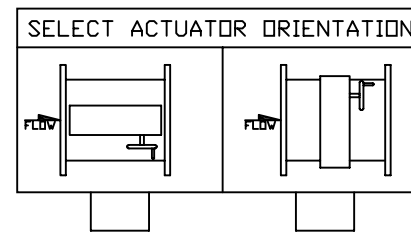
LIFTING LUGS
TYP. 2 PLCS.



316 ST.ST DAMPER, FRP RESILIENT SEALED.
PART # STJ-60-F-2216-4-6-5

CARBON STEEL DAMPER, FRP RESILIENT SEALED.
PART # STJ-60-F-1156-4-6-5

CUSTOMER TO CONFIRM ACTUATOR



SECTION "A-A"

CUSTOMER: LESLIE DANHART
PROJECT: CITY OF TORONTO
ASHBRIDGES BAY
BIO SOLIDS ODOUR CONTROL
P.O # 2900 1840
STEALTH S.O REF # 000316

CUSTOMER APPROVAL:

DATE:

#	DESCRIPTION	MATERIAL	6	5	4	3	2	1	RFP	No.	DATE	ERN
1	FLANGE BODY	CARBON STEEL/ST.ST										
2	DISC	CARBON STEEL FRP LINED										
3	ACTUATOR	AUMA										
4	UPPER SHAFT	CARBON STEEL FRP LINED										
5	UPPER FLANGE BEARING	UCFL211										
6	UPPER PACKING GLAND	CARBON STEEL										
7	UPPER HUB	CARBON STEEL										
8	TAPER PINS	316 ST.ST										
9	PACKING	GRAFOIL										
10	LOWER HUB	CARBON STEEL FRP LINED										
11	LOWER PACKING GLAND	CARBON STEEL										
12	LOWER FLANGE BEARING	UCFL211										
13	LOWER SHAFT	CARBON STEEL FRP LINED										
14	THRUST BEARING	CARBON STEEL										
15												
16												
17												
18												
REVISIONS												

DRAWN BY
K.A.D.D.
DATE
04/03/00
CHECKED BY
Bruce James
DATE
05/03/00
APPROVED BY
Bruce James
DATE

TOLERANCES
(Except as Noted)
DECIMAL
±.062
FRACTIONAL
±.1/16"
ANGULAR
±1/2°
FINISH
TO SUIT
FILLETS & RADII
.031
BREAK SHARP
EDGES

STEALTH VALVE & CONTROLS LTD.

WWW.STEALTHVALVE.COM

The information contained herein shall not be copied, transferred, conveyed or displayed in any manner that would violate its proprietary nature without the express written permission of STEALTH VALVE & CONTROLS LTD. 6295 NORTHAM DRIVE UNIT 14 (905)405-1149

60" CARBON STEEL FRP LINED RESILIENT SEALED DAMPER C/W AUMA SG 10 ON-OFF
60" 316 ST.ST RESILIENT SEALED DAMPER C/W AUMA SG

MATERIAL: A-36 CARBON STEEL FRP COATED
BODY DISC AND SHAFT INTERNALS

DO NOT
SCALE

DRAWING No.

REV

NOTE: MAXIMUM 100°F
-5 INCHES OF WATER TO 0 INCHES
BUBBLE TIGHT

SCALE
N.T.S

STJ-60-F-4400